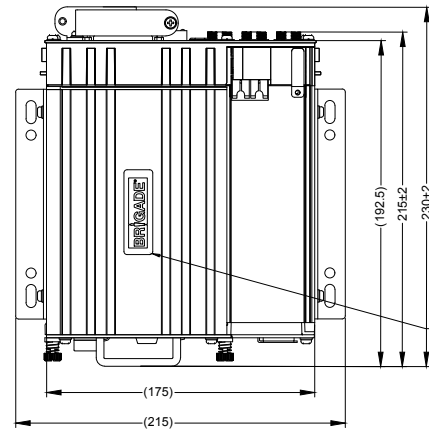
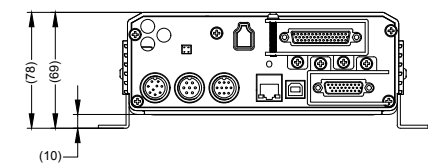
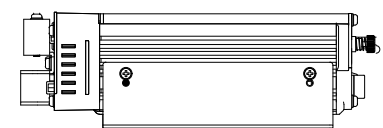
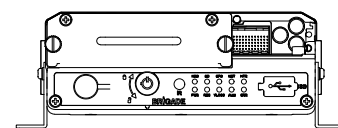
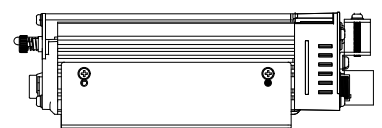
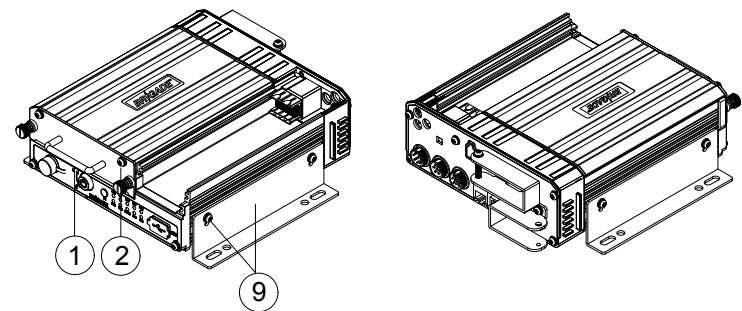
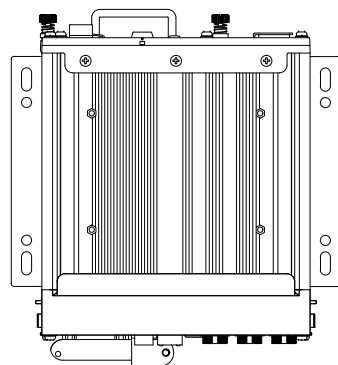


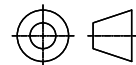
Revision Notes:				
R1 -				
APA:	Drawn:	Checked:	Approved:	Date:



LOGO  
SEE NOTE 5.

- NOTES:**
1. REFERENCE INSTRUCTION MANUAL FOR FUNCTIONALITY.
  2. FOR COMPONENT DETAILS REFER TO COMPONENT DRAWINGS.
  3. ANY CUSTOMER MODIFICATION OF THIS PRODUCT CAUSING SUBSEQUENT FAILURE IS NOT A LIABILITY OF BRIGADE ELECTRONICS GROUP PLC.
  4. FIXING SCREWS SUPPLIED IN CLEAR PLASTIC BAG.
  5. FOR BRIGADE LOGO SEE BRIGADE-LARGE-LOGO STICKER 55185-4526(01.10.05.218)-V1.0.

**PROPRIETARY NOTICE**  
THIS DESIGN AND TECHNICAL INFORMATION APPEARING ON THIS DRAWING IS THE PROPERTY OF BRIGADE ELECTRONICS, AND IS DISCLOSED IN CONFIDENCE. IT IS NOT TO BE COPIED, REPRODUCED, REVEALED TO OR EXPROPRIATED BY OTHERS, EITHER IN WHOLE OR IN PART WITHOUT THE EXPRESS WRITTEN CONSENT OF BRIGADE ELECTRONICS.

Sheet No 1 of 2	Assembly PI Approval E.PANG	Approved by B.JOHN	Checked by R.BATES	Drawn by L.PILLAY
	Angle of Projection  Third Angle	Units mm	Scale N/A	Released 15/12/15
		Status RELEASED	Assembly Ref MDR-408-1000-E	
		Part No 5047	BE-003267-00-15	

